

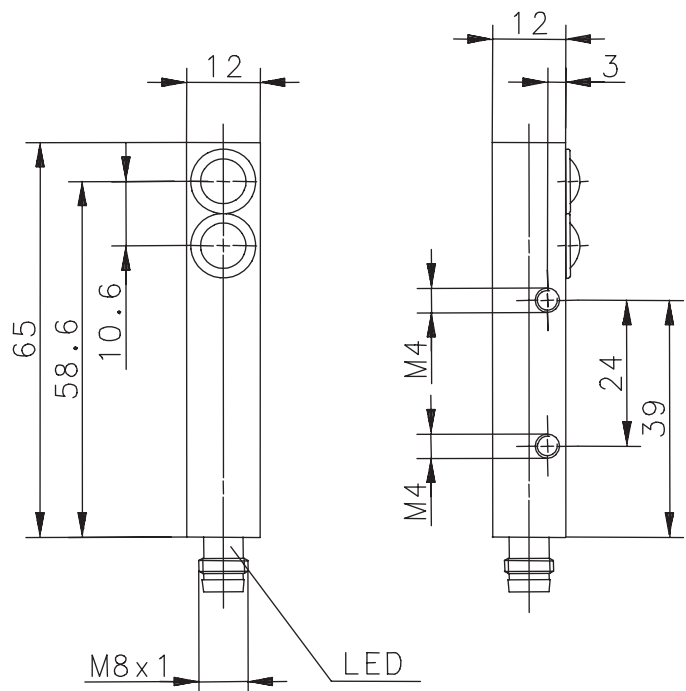
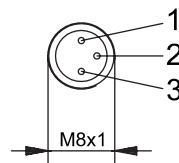
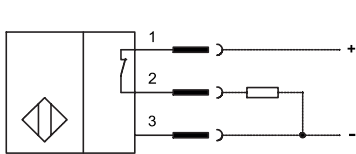
# Photoelectric Sensors

## Series OR12

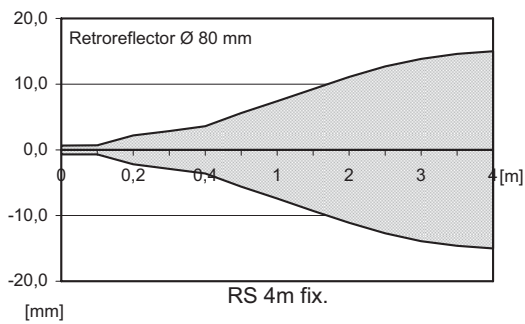
Description **OR12RS-DDTP-04.0-SL**

Article number **6554755001**

### Wiring Diagram



### Sensing range



**Identifying characteristics in accordance with EN 60947-5-2**

<b>Electrical data</b>		
Sensing range	$S_d$	RS 4 m fix. = Triplereflector Ø80 mm
Switching element function		PNP - dark activation, permanent overload protection
Repeat accuracy	R	10 %
Differential travel (hysteresis)	H	20 %
Rated operational voltage	$U_e$	12-24 V DC
Operational voltage range	$U_B$	10-36 V DC
Rated insulation voltage	$U_i$	75 V DC
Rated impulse withstand voltage	$U_{imp}$	500 V
Voltage drop	$U_d$	< 1,8 V
Utilization category		DC-13
Rated operational current	$I_e$	50 mA
Minimum operational current	$I_m$	≤ 1 mA
Off-state current	$I_r$	≤ 0,1 mA
No-load supply current	$I_o$	≤ 10 mA
Max. rated output current		200 mA
Ambient light proof		5 kLux
Short-circuit protection		pulsed
Frequency of operating cycles	f	100 Hz
False polarity protection		yes
Time delay before availability	$t_v$	< 15 ms
Turn on time	$t_{on}$	< 5 ms

<b>Mechanical Data</b>	
Enclosure	brass, nickel plated
Beam-output	PA 12
Ambient air temperature	-5 °C ... +70 °C
Type of protection	IP65 (only in fully snapped-in position with it's plugs)
Pollution degree	3 (Pollution of the optic can cause impairments of the operating distances.)
Indication	LED yellow
Termination type	Plug-in connection

<b>EU Conformity</b>
acc. to directive 2014/30/EU (EMC-Directive)